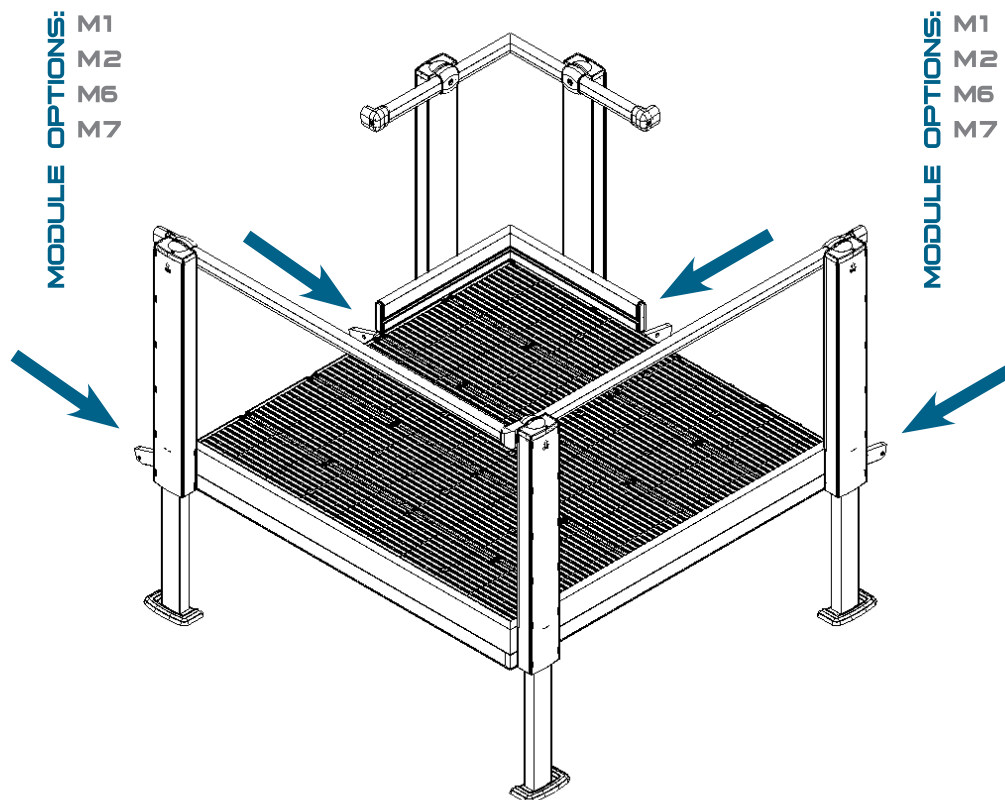


# MODULE 8: 5' x 5' 90° Platform

QRamp™ modular access is a complete ramp system that can be configured to your needs. Please contact us if you have any concerns or questions while assembling this product.

## QUICK TIPS for Easy Assembly:

1. QRamp recommends assembly is completed with two people.
2. Have the QRamp Builder Layout readily available as a reference to aid in the ramp installation. Ensure the correct number of modules are present.
3. Start assembly with the ramp platform or with the highest point.
4. Attach feet upon connection of each module. Do not leave foot attachments to the end.
5. Complete the entire ramp surface before beginning the handrail installation. Begin the handrail installation at the highest point.
6. Handle the leg covers (see Image C) with care. Pinch and push at each tab to ensure proper installation and a finished look. Excessive force may cause tabs to crack or break.
7. Ensure leg caps (see Image B) are lined up properly before snapping down.



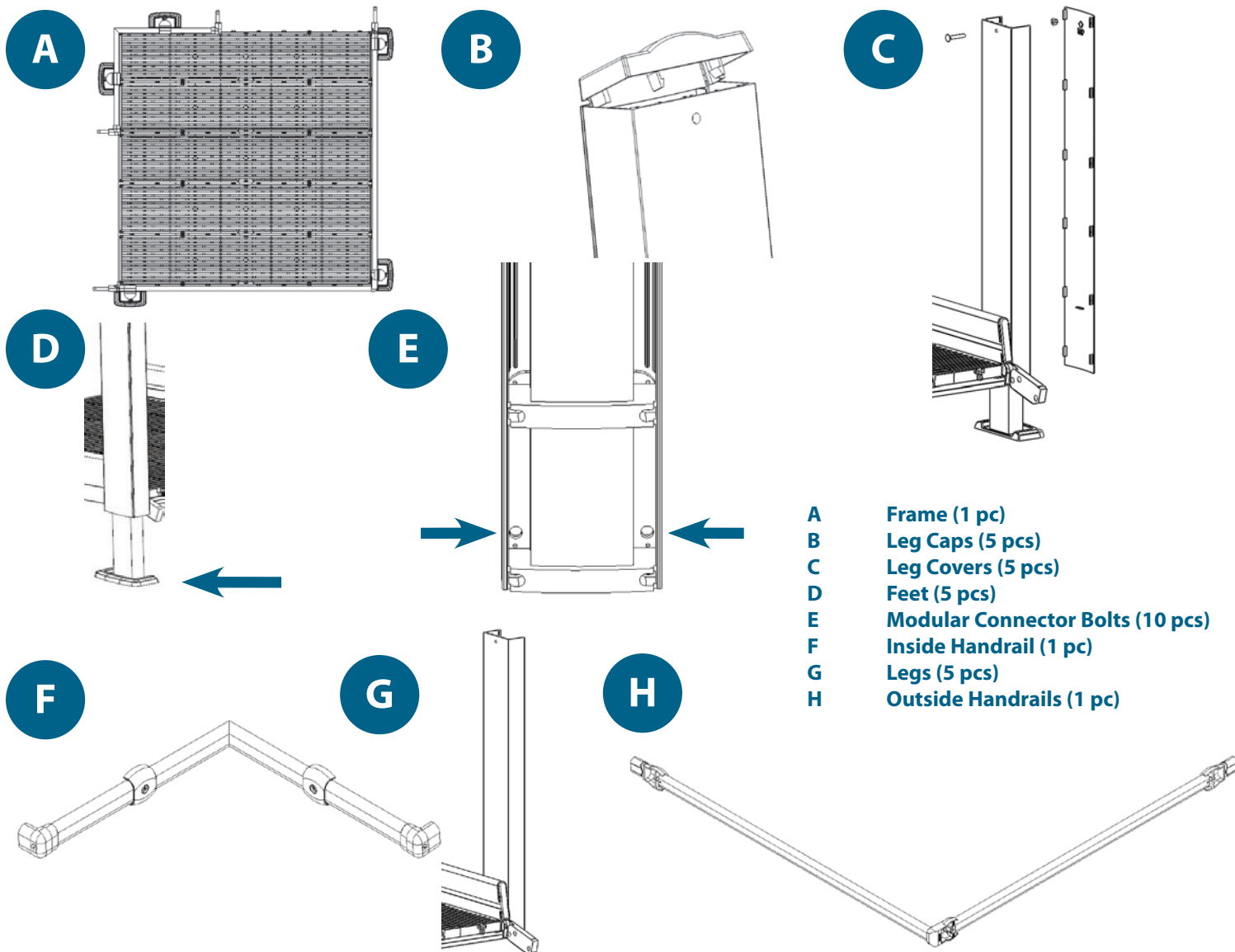
### Tools Required:

- 6mm Allen Wrench
- 5mm Allen Wrench
- 13mm Deep Socket

### Tools Recommended:

- Safety Glasses
- Side Cutters
- Gloves
- Measuring Tape
- Level

# MODULE 8: 5' x 5' 90° Platform





- A Frame (1 pc)
- B Leg Caps (5 pcs)
- C Leg Covers (5 pcs)
- D Feet (5 pcs)
- E Modular Connector Bolts (10 pcs)
- F Inside Handrail (1 pc)
- G Legs (5 pcs)
- H Outside Handrails (1 pc)

**QUESTIONS? CALL 855-697-7267**

[www.youtube.com/user/QRampAccess](http://www.youtube.com/user/QRampAccess)



Direct : 519.627.7267  
 Toll Free : 1.855.MY.QRAMP (855.697.7267)  
 Fax : 888.595.4762  
 info@qramp.com

 /TheQRamp  
 /TheQRamp

