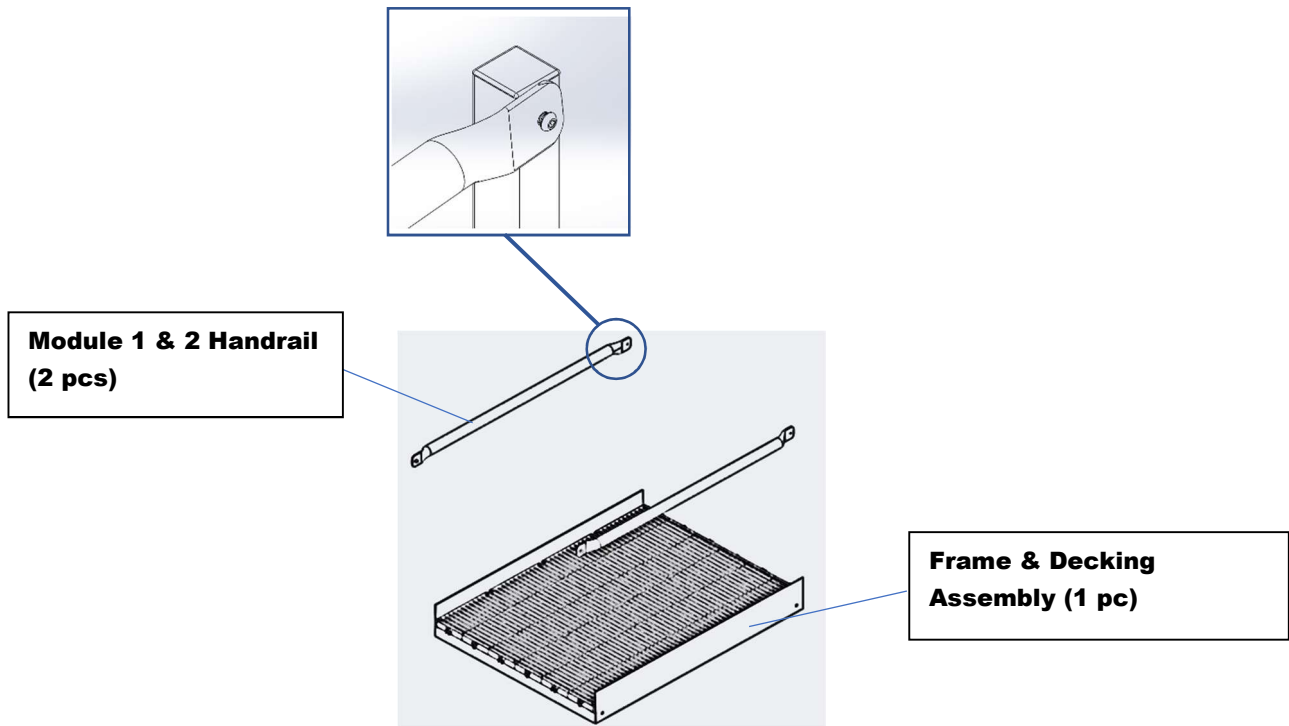


Module 2

Assembly

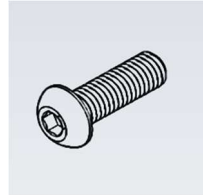


Hardware

**M10 x 35
Bolt (4 pcs)**



**M8 x 20 Bolt
(2 pcs)**



**M8 Nut
(2 pcs)**

