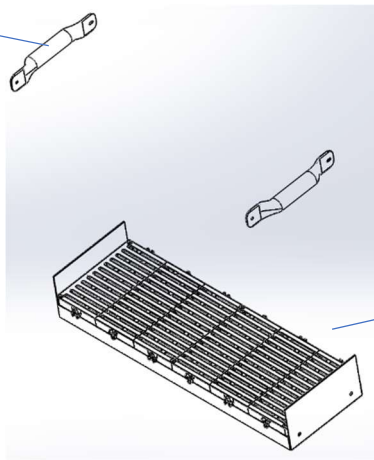


## Assembly

**Module 7 Handrail  
(2 pcs)**



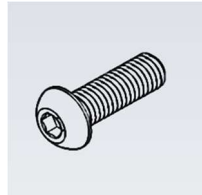
**Frame & Decking  
Assembly (1 pc)**

## Hardware

**M10 x 35  
Bolt (4 pcs)**



**M8 x 20 Bolt  
(2 pcs)**



**M8 Nut  
(2 pcs)**

