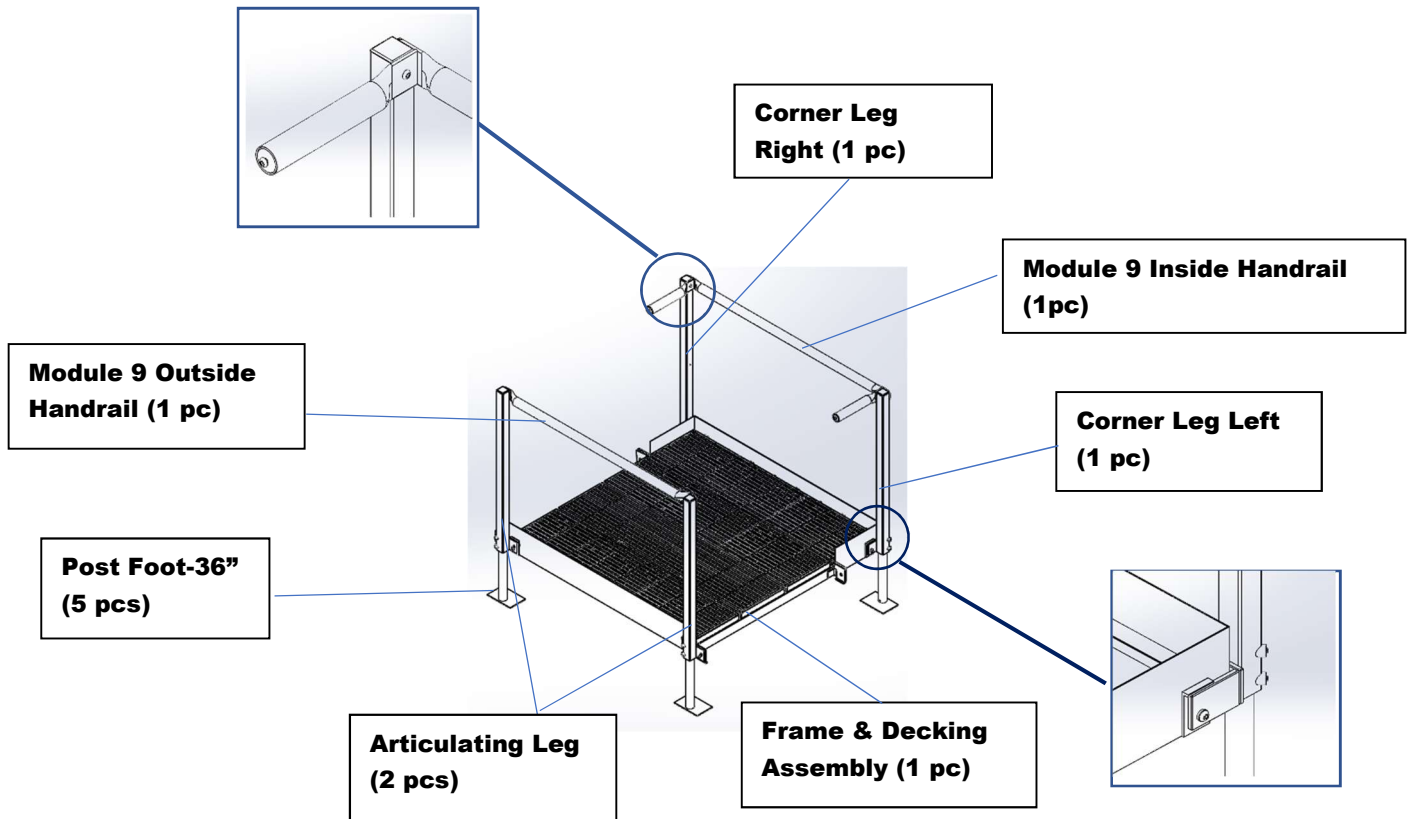


Module 10

Assembly



Hardware

M10 x 35 Bolt (6 pcs)	M8 x 20 Bolt (8 pcs)	M8 Nut (8 pcs)	Platform Plate Left (2 pcs)	Platform Plate Right (2 pcs)
