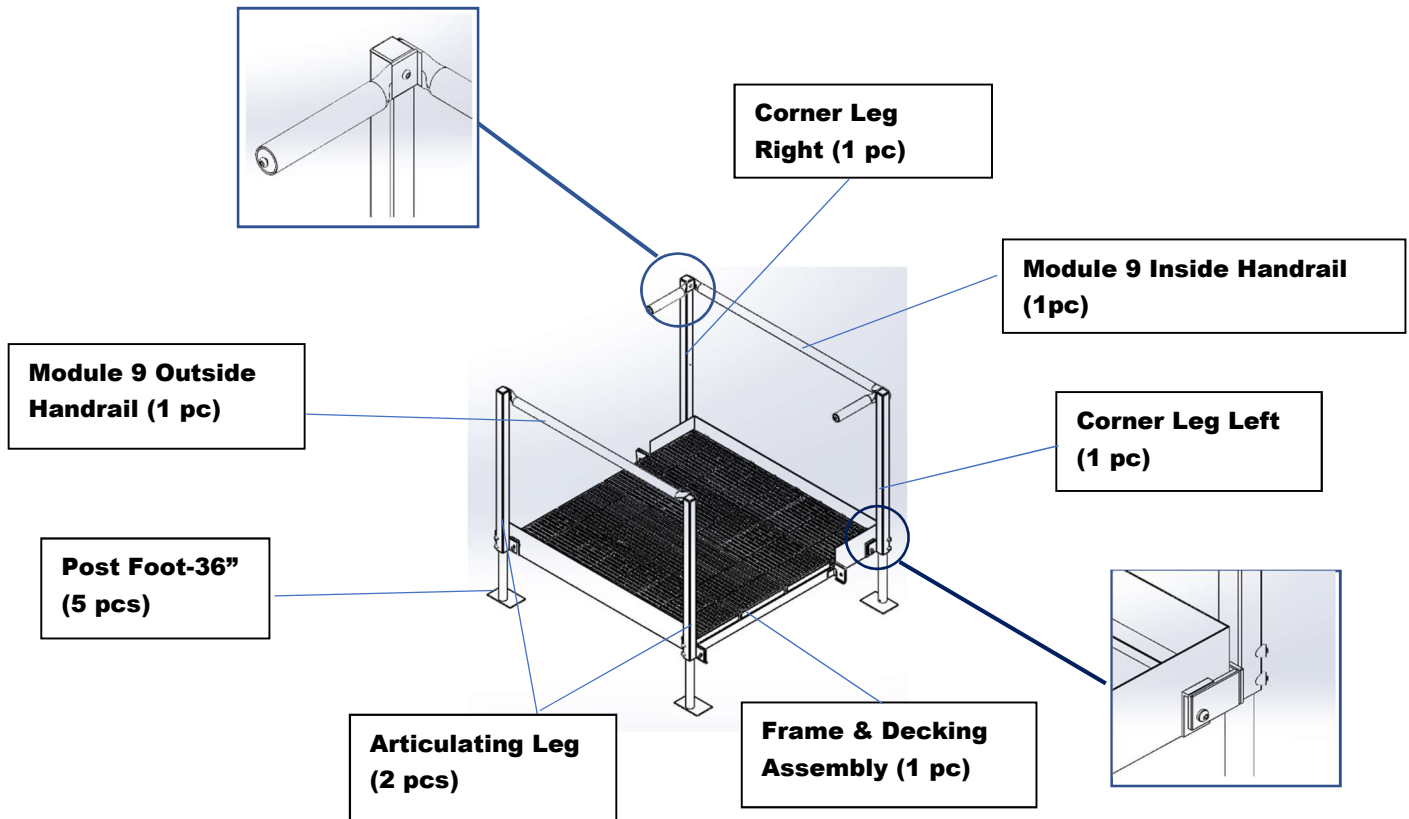
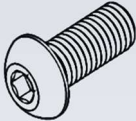
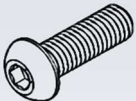

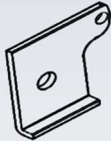



# Module 9

## Assembly

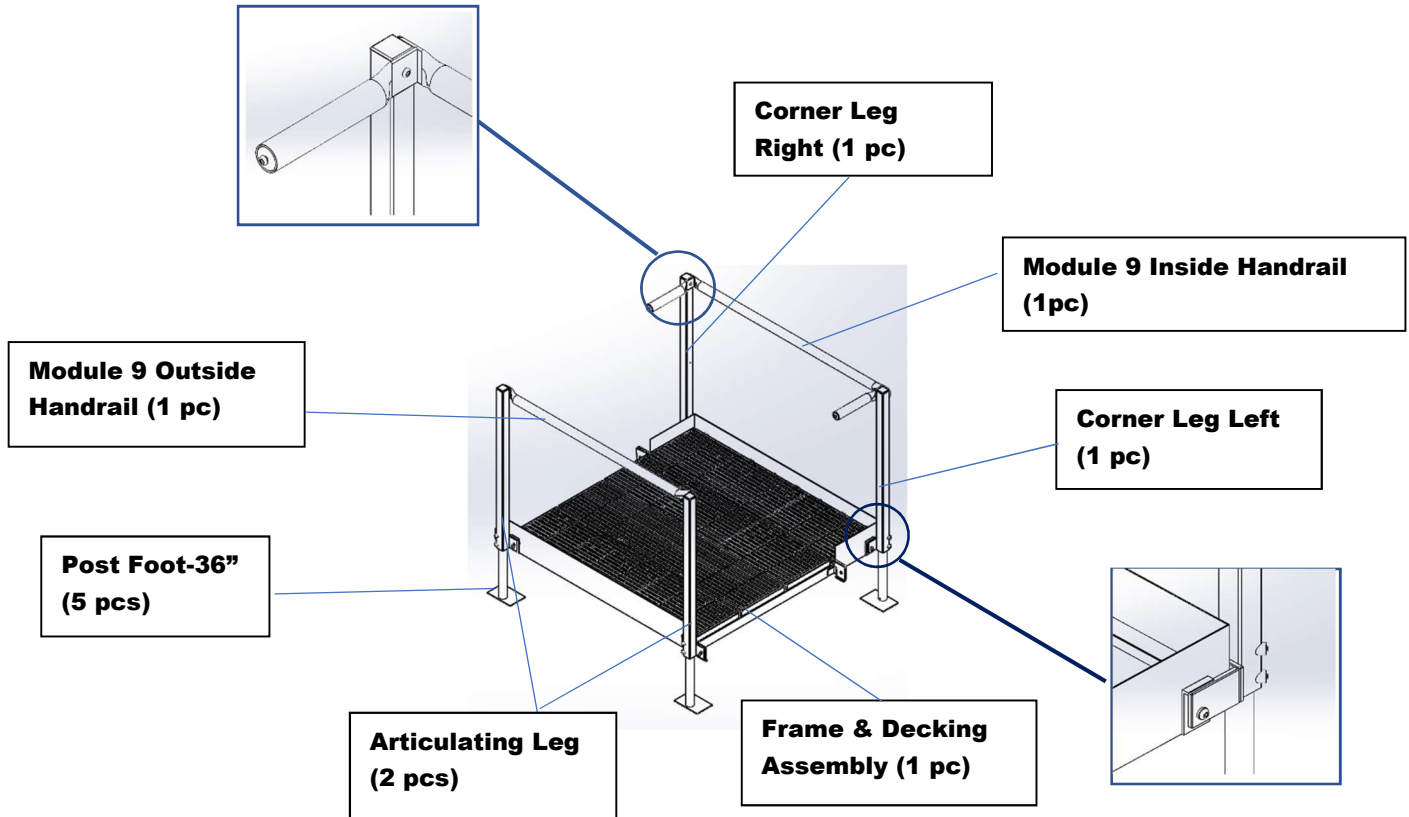


## Hardware

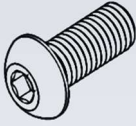
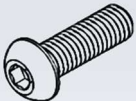


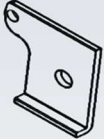
<b>M10 x 35 Bolt (6 pcs)</b>	<b>M8 x 20 Bolt (6 pcs)</b>	<b>M8 Nut (6 pcs)</b>	<b>Platform Plate Left (2 pcs)</b>	<b>Platform Plate Right (2 pcs)</b>
				

# Module 9

## Assembly

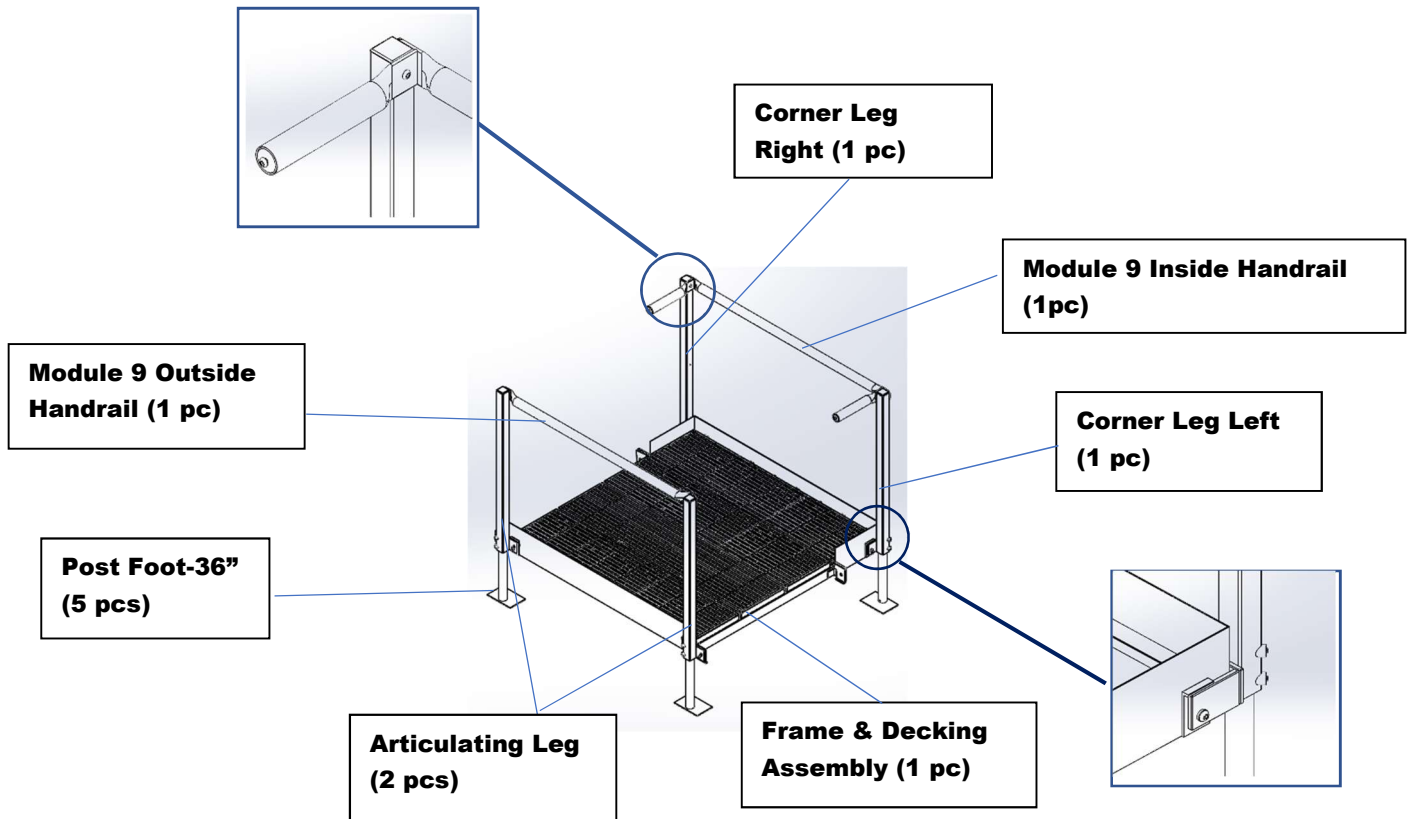


## Hardware

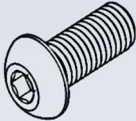
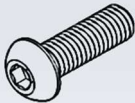


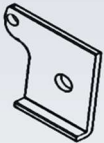
<b>M10 x 35 Bolt (6 pcs)</b>	<b>M8 x 20 Bolt (6 pcs)</b>	<b>M8 Nut (6 pcs)</b>	<b>Platform Plate Left (2 pcs)</b>	<b>Platform Plate Right (2 pcs)</b>
				

# Module 9

## Assembly

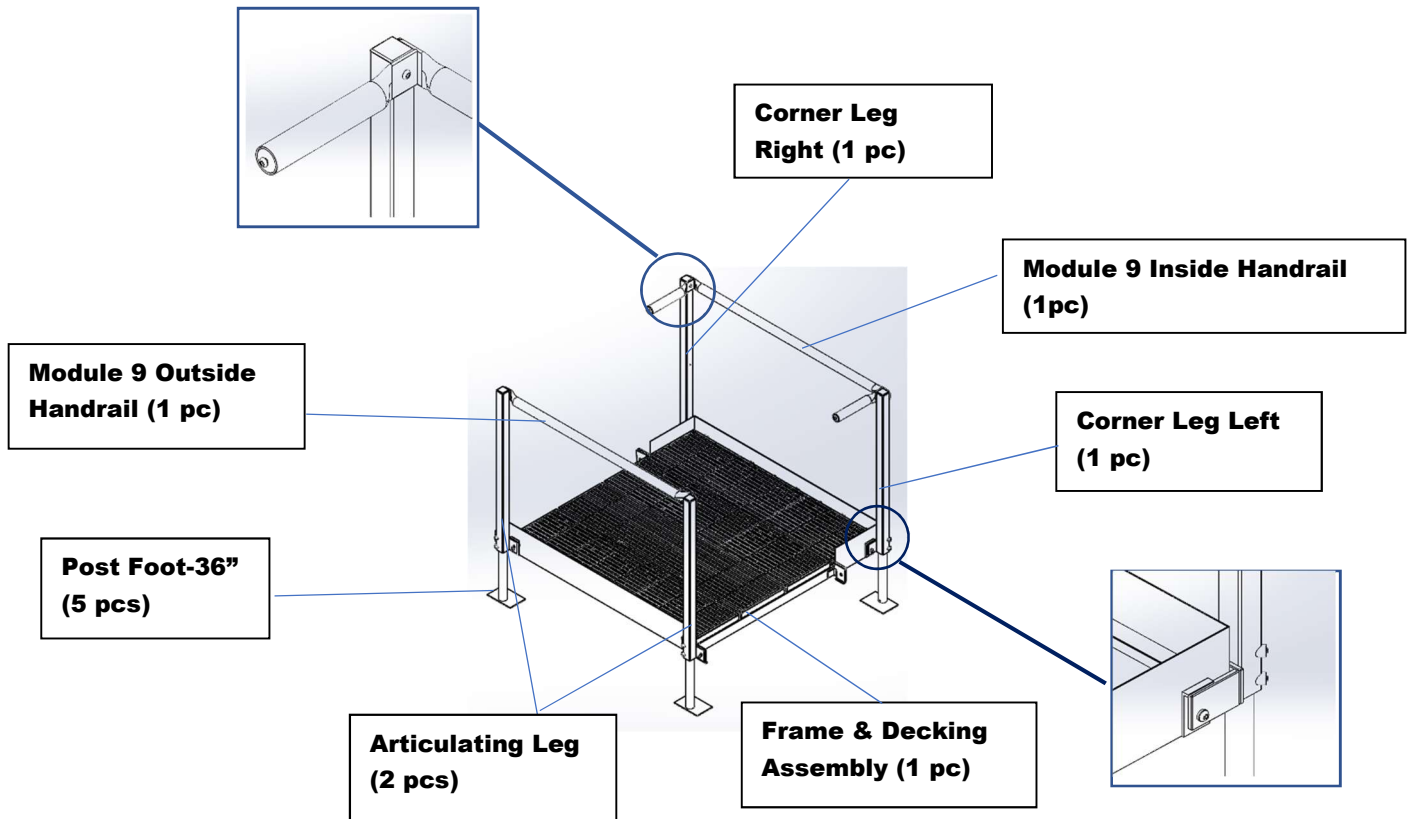


## Hardware

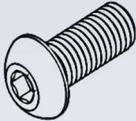
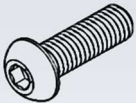

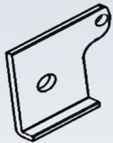
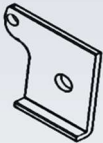
<b>M10 x 35 Bolt (6 pcs)</b>	<b>M8 x 20 Bolt (6 pcs)</b>	<b>M8 Nut (6 pcs)</b>	<b>Platform Plate Left (2 pcs)</b>	<b>Platform Plate Right (2 pcs)</b>
				

# Module 9

## Assembly

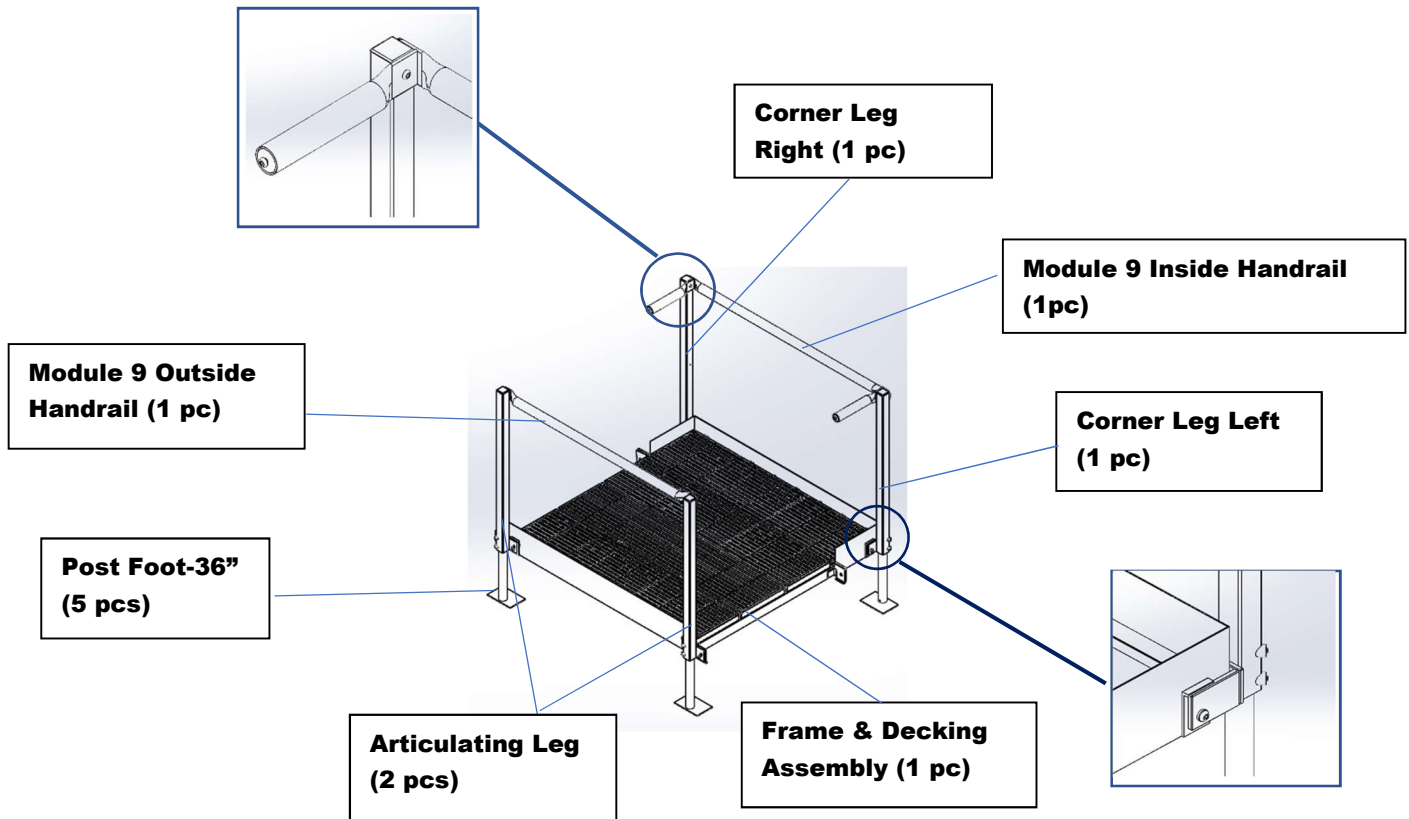


## Hardware

<b>M10 x 35 Bolt (6 pcs)</b>	<b>M8 x 20 Bolt (6 pcs)</b>	<b>M8 Nut (6 pcs)</b>	<b>Platform Plate Left (2 pcs)</b>	<b>Platform Plate Right (2 pcs)</b>
				

# Module 9

## Assembly



## Hardware

<b>M10 x 35 Bolt (6 pcs)</b>	<b>M8 x 20 Bolt (6 pcs)</b>	<b>M8 Nut (6 pcs)</b>	<b>Platform Plate Left (2 pcs)</b>	<b>Platform Plate Right (2 pcs)</b>
