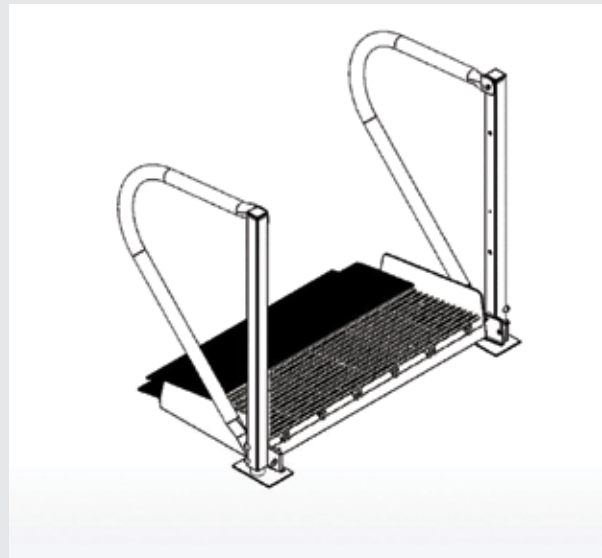


MODULE 4 – ENTRY/EXIT PLATE



Module 4 is an entry and exit section. It is the beginning or end of the ramp and can be used at the top or bottom of the ramp. This Module is simply a sloping section combined with a Module 6 plate and features curved handrails.

MODULE 6 – TRANSITION PLATE



Module 6 is an entry & exit plate. As there will be a small gap between the ramp and the other structure, it is meant to transition from ramp surface to a doorway threshold, patio or deck. It does not have a frame, legs or handrails, is fastened to the ramp only and rests on the other structure adjacent to the ramp.



- ✓ Fast Delivery
- ✓ Easy Assembly & Removal
- ✓ Attractive & Safe
- ✓ Completely Modular



Toll Free: 1-855-697-7267
sales@qramp.com
700 Gillard Street, Wallaceburg, ON Canada N8A 4L3
WWW.QRAMP.COM

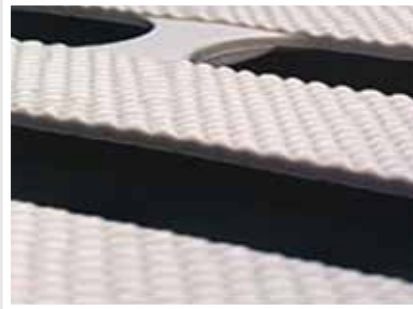


Quality, Quiet, Quick
QRAMP™ MODEL 1000

THRU-FLOW

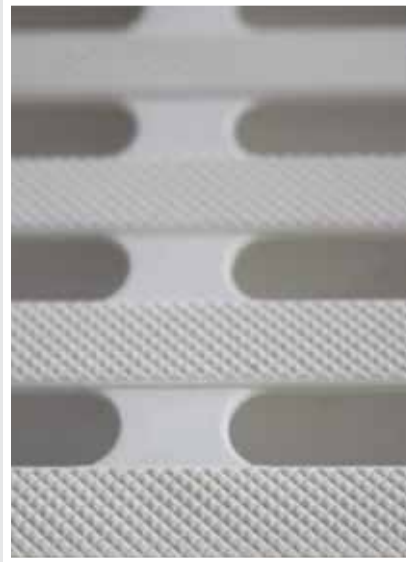
PREMIUM DECKING SOLUTIONS

QRamp™ is proud to offer the exclusive ThruFlow™ panel as the running surface of our ramps. This is one of the things that truly sets QRamp™ apart. ThruFlow™ is made of reinforced polypropylene which helps to keep it lightweight compared to other ramp building materials.



With our unique, 360-degree non-slip surface that is quiet in use and does not deflect under heavy weight, our customers find great satisfaction in QRamp™.

We are proud that our non-slip surface exceeds ADA specifications.



WE THOUGHT ABOUT THE LITTLE THINGS SO YOU DON'T HAVE TO!



- ✓ Easy, bracket and bolt assembly
- ✓ Set screw locking system



- ✓ Luminescent, low light safety caps and neutral colour for any décor
- ✓ Simple bolt and nut handrail system



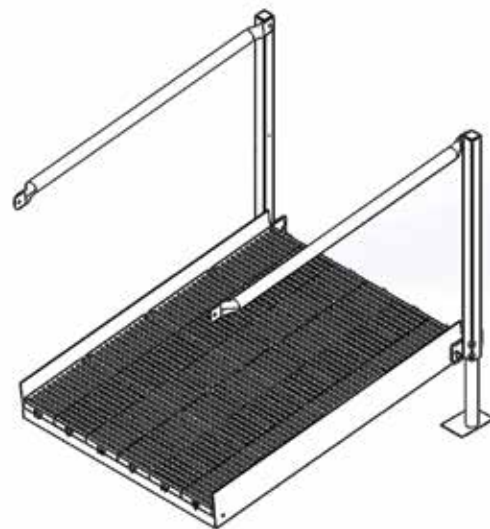
- ✓ Thruflow™ decking allows water and snow to pass through with superior non-slip ability
- ✓ Each Ramp is low maintenance – no need to repaint or stain

MODULE BREAKDOWN

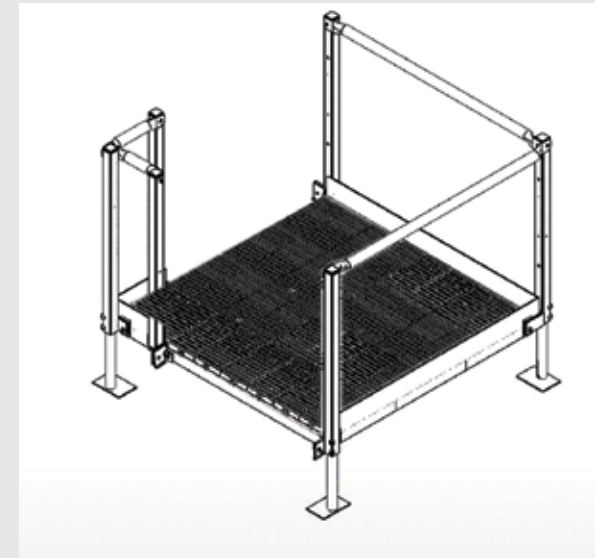
MODULE 1 – 4' x 3' SLOPING SECTION

Module 1 is our most versatile module as it connects to every piece. When beginning a ramp from the top, start with the Module 6 then follow with a Module 1 to start the decline.

This Module, along with Module 2 & 7, can be set to any slope within the acceptable range from 1:9 to 1:20. The target slope of a ramp as per ADA guidelines is 1:12 so each Module 1 platform will cover 4" of the total rise. Keep in mind as per the guidelines, after 30 feet of ramp a platform must be installed as a resting place.

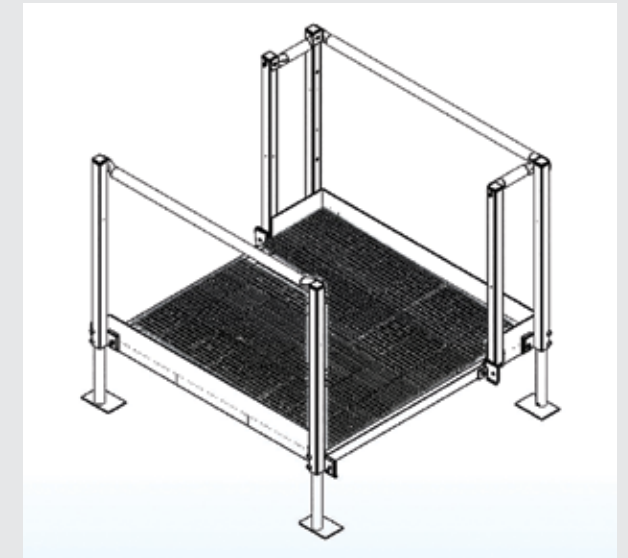


MODULE 3 & 8 – 90° TURN PLATFORM



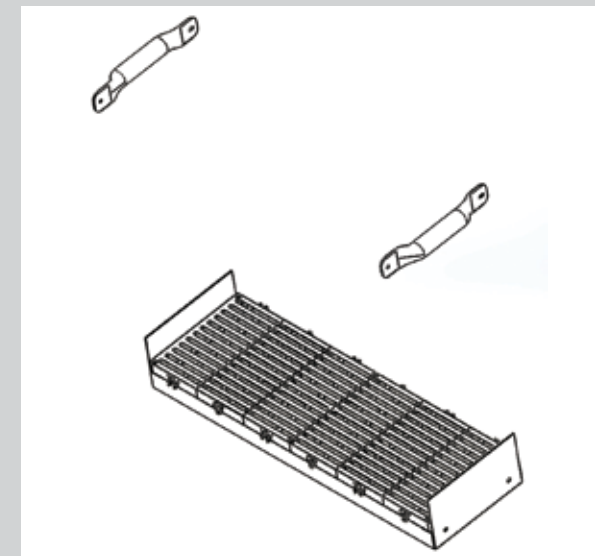
Module 3 & 8 are 90° turning platforms. Their purpose is to facilitate a 90° turn, left or right on a level surface in connection with sloping or running sections. The Module 8 is the larger of the two to allow for a larger turning radius - otherwise they are the same design.

MODULE 9 & 10 – RESTING PLATFORM



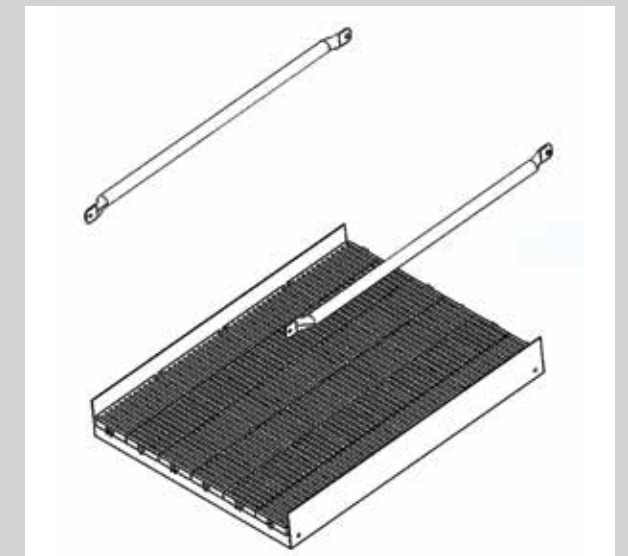
Module 9 & 10 are straight, resting platforms. They are designed for resting or turning after a long run of sloping modules. Exiting and entering the platform are done in a straight line. These platforms are frequently used adjacent to a doorway. Like the Module 3 & 8, they come in 4' x 4' and 5' x 5' and are the same design.

MODULE 7 – 1' BRIDGES



Module 7 is a one-foot bridge section. Because it is intended to 'bridge' two platforms or a sloping section and platform, it does not have legs to connect it in between two sloping sections. You must purchase a Module Leg Kit.

MODULE 2 – 4' BRIDGE



The Module 2 is a four foot bridge section meant to slope or be installed level. It serves the same purpose as a Module 7, only it's longer.