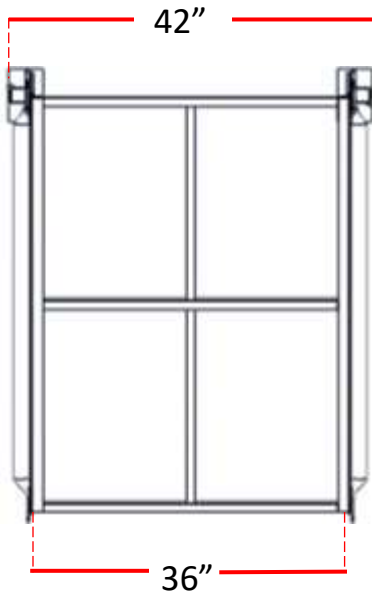


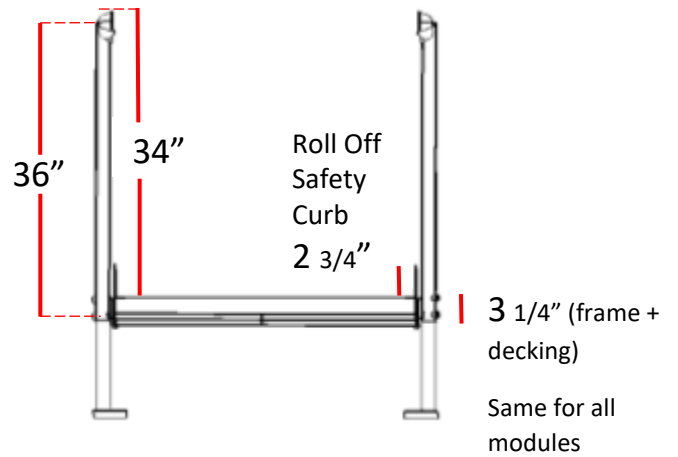


Module 1- Sloping Section With Legs

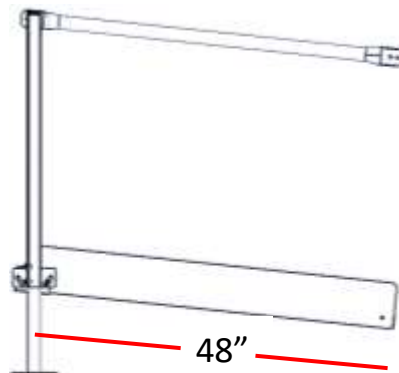
Dimensions- (Decking included but not shown)



View from above



View at end

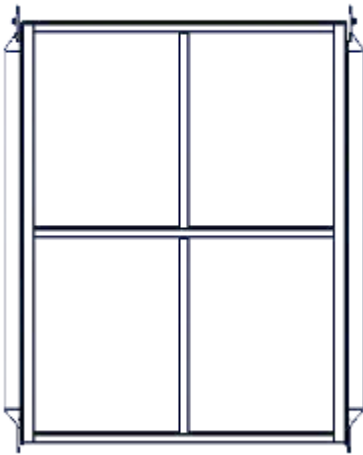


View from side

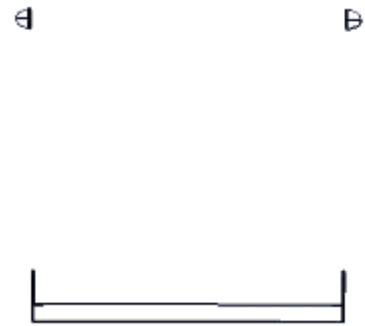


Module 2- 4' Bridge Section (no legs)

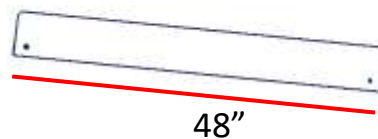
Dimensions- (Decking included but not shown)



View from above -
Same as Module #1



View at end – Same as
Module #1



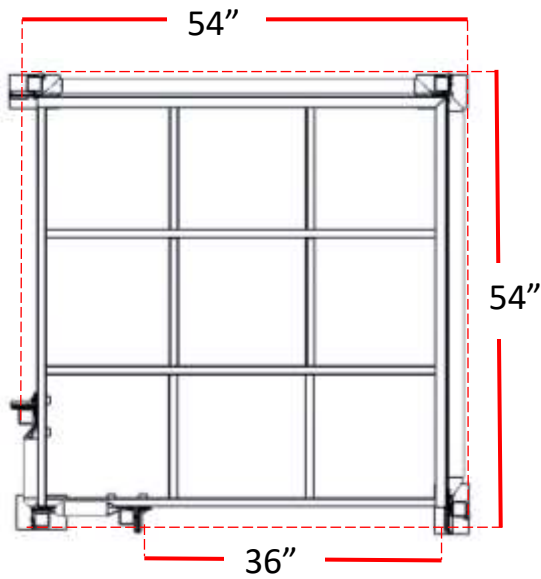
48"

View from side

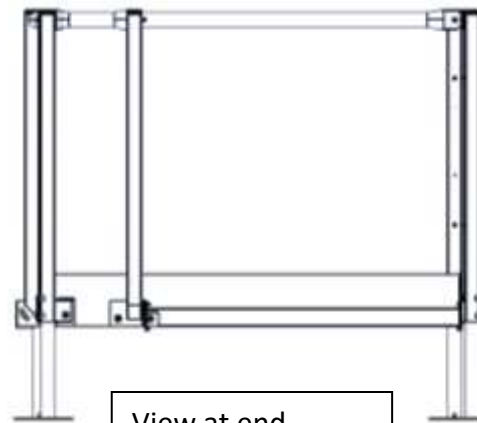


Module 3- 90 Degree Turn Platform 4'x4'

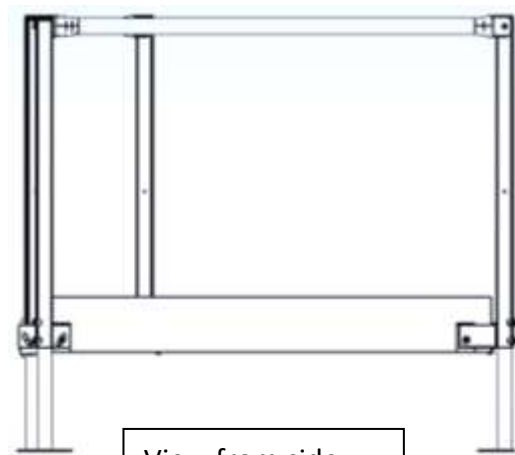
Dimensions- (Decking included but not shown)



View from above

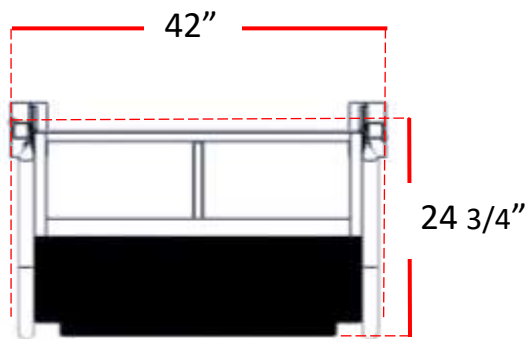


View at end



View from side

Dimensions- (Decking included but not shown)



View from above



View at end



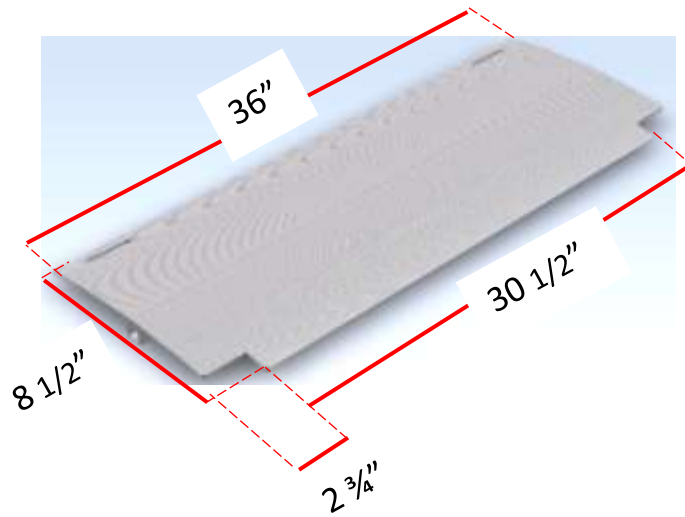
5 1/4"

View from side



Module 6- Entry Transition Plate

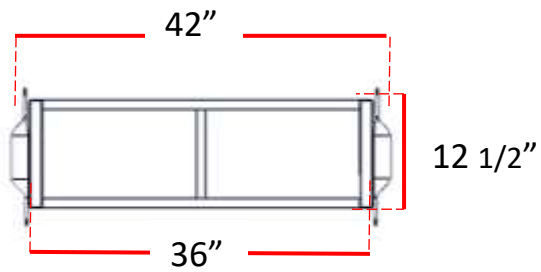
Dimensions- (Decking included but not shown)





Module 7- 1' Bridge Section (no legs)

Dimensions- (Decking included but not shown)



View from above



View at end

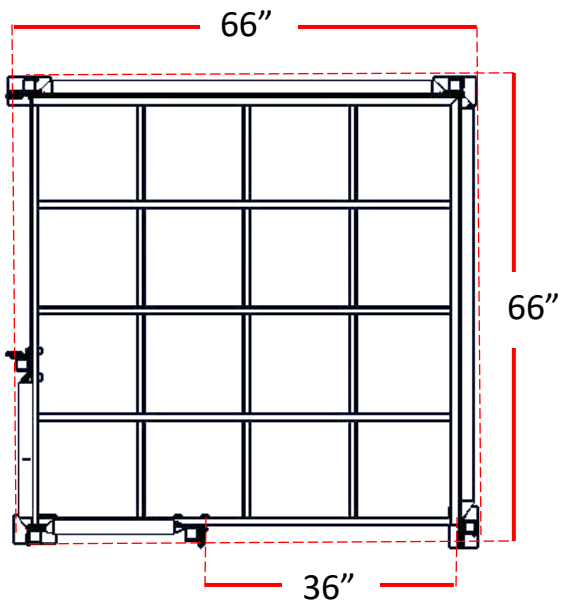


View from side

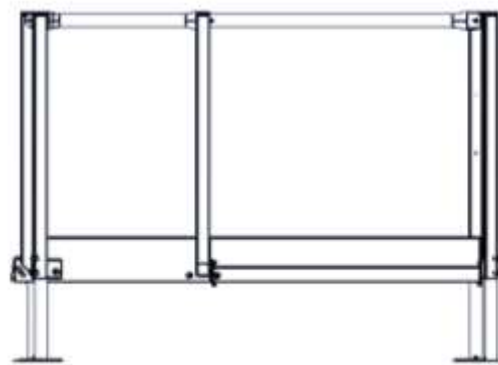


Module 8- 90 Degree Turn Platform 5'x5'

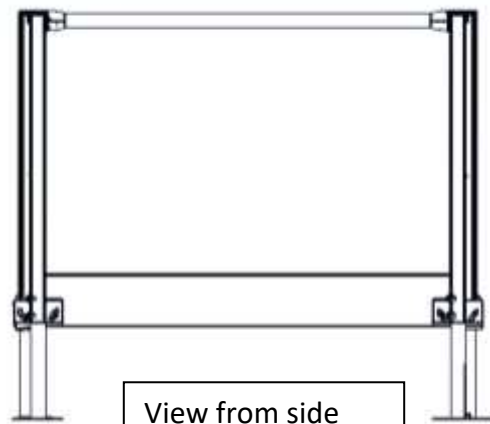
Dimensions- (Decking included but not shown)



View from above



View at end

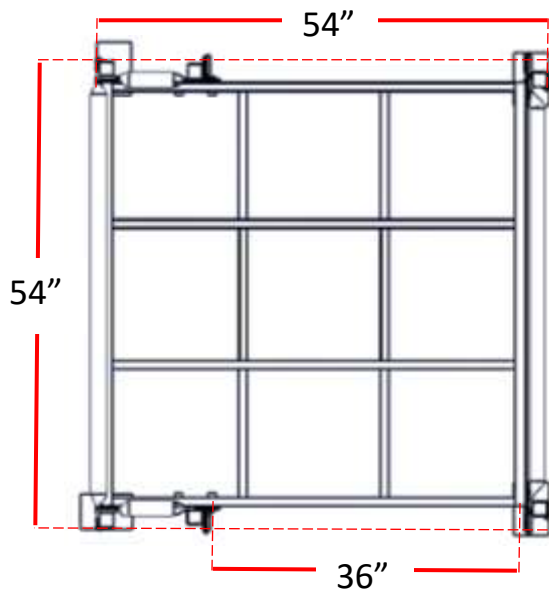


View from side

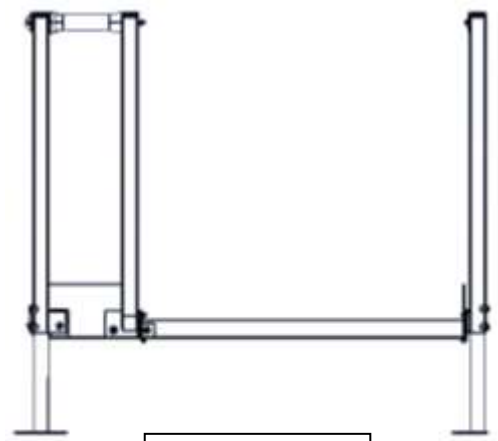


Module 9- Straight Resting Platform 4'x4'

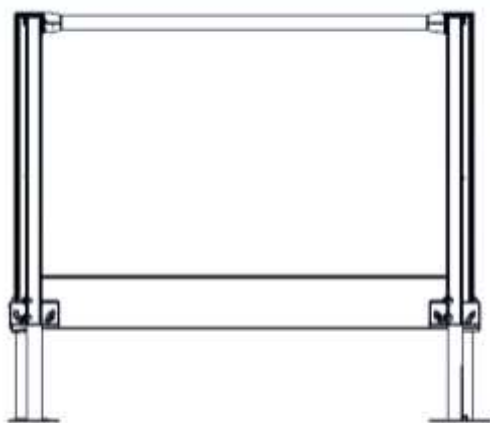
Dimensions- (Decking included but not shown)



View from above



View at end

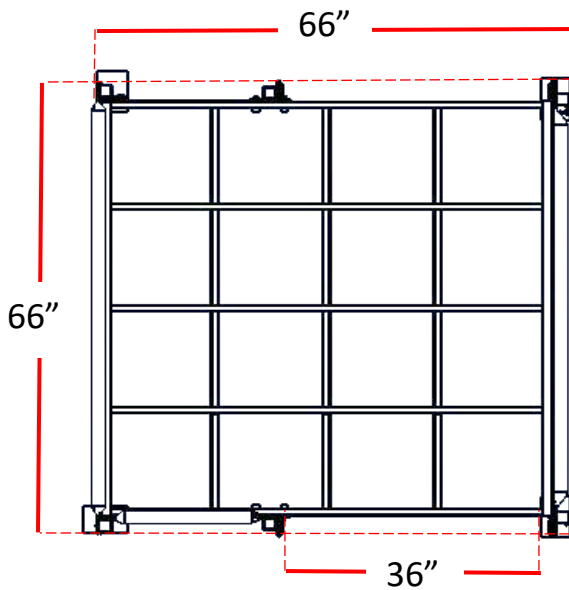


View from side



Module 10- Straight Resting Platform 5'x5'

Dimensions- (Decking included but not shown)



View from above

