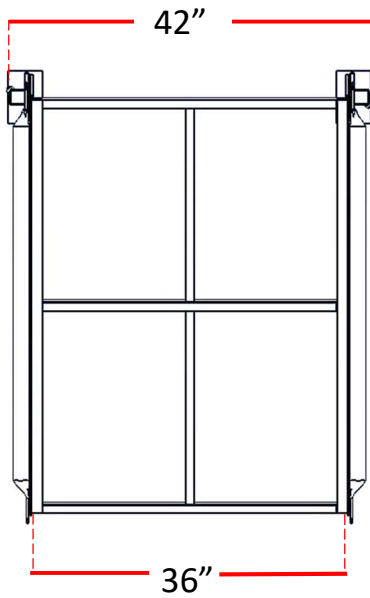
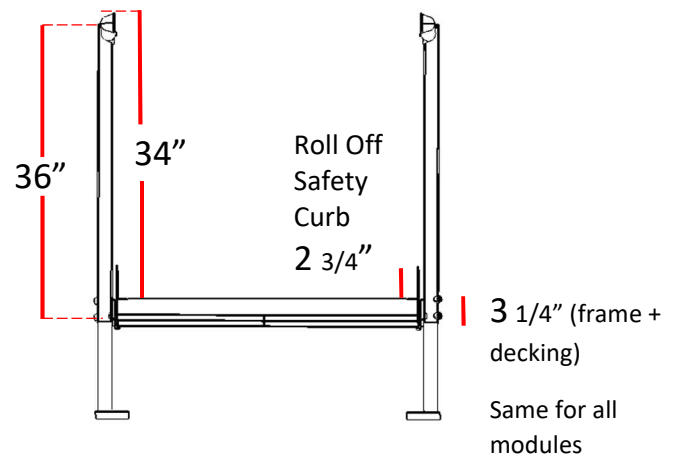


## Module 1- Sloping Section With Legs

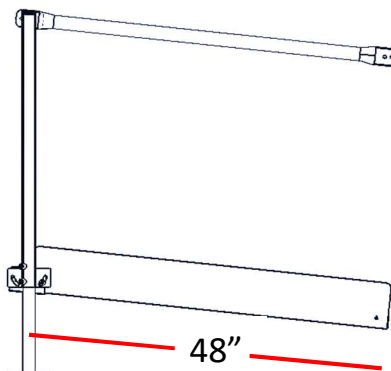
### Dimensions- (Decking included but shown)



View from above



View at end

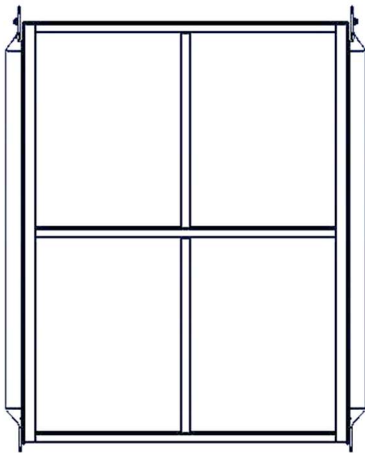


View from side

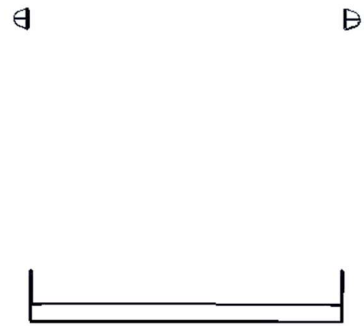


## Module 2- 4' Bridge Section (no legs)

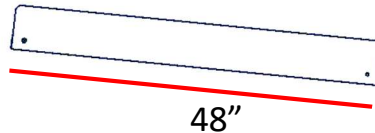
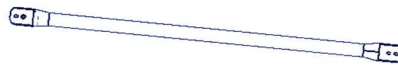
### Dimensions- (Decking included but shown)



View from above -  
Same as Module #1



View at end – Same as  
Module #1

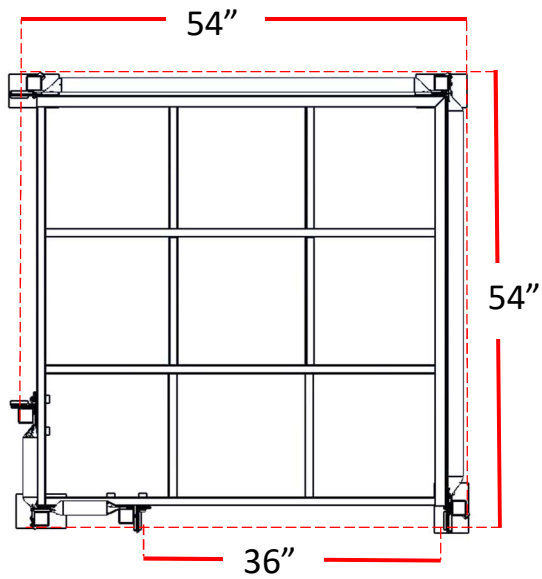


View from side

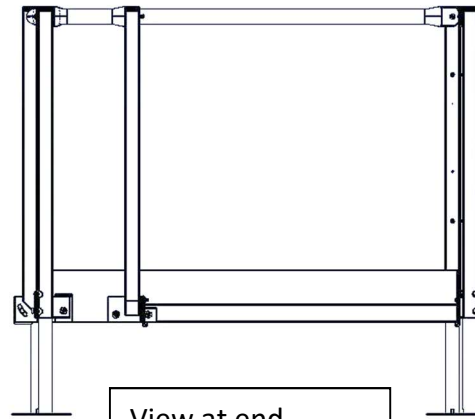


## Module 3- 90 Degree Turn Platform 4'x4'

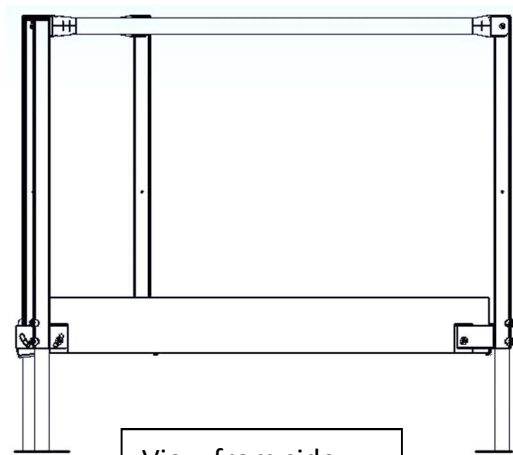
### Dimensions- (Decking included but shown)



View from above

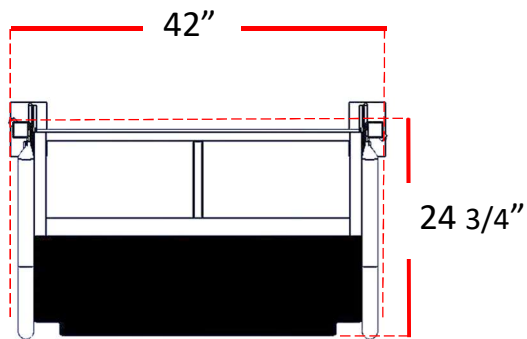


View at end

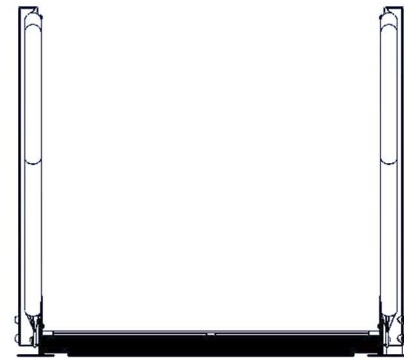


View from side

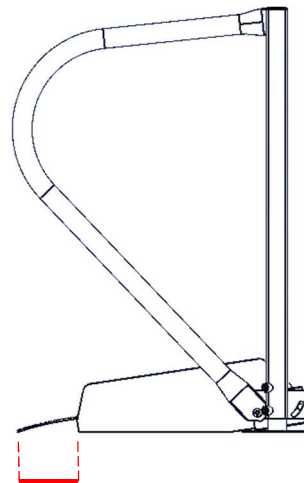
**Dimensions- (Decking included but shown)**



View from above



View at end



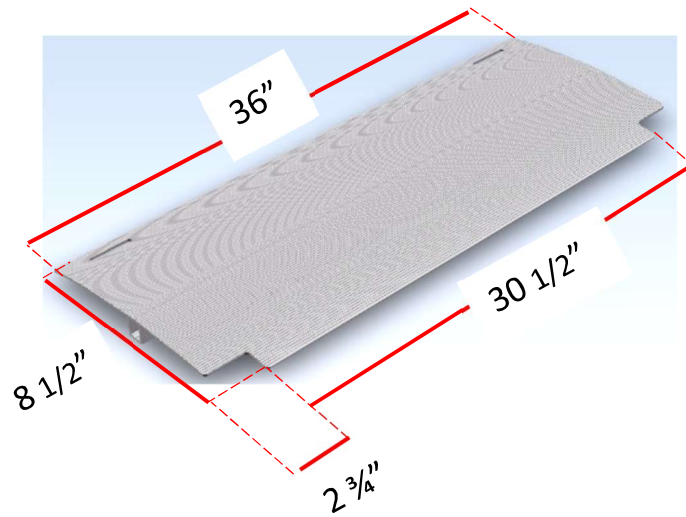
5 1/4"

View from side



## Module 6- Entry Transition Plate

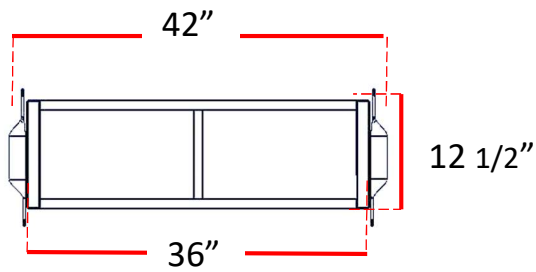
**Dimensions- (Decking included but shown)**



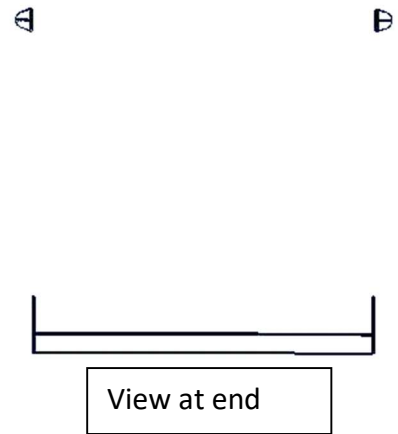


## Module 7- 1' Bridge Section (no legs)

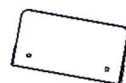
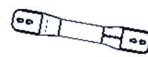
### Dimensions- (Decking included but shown)



View from above



View at end

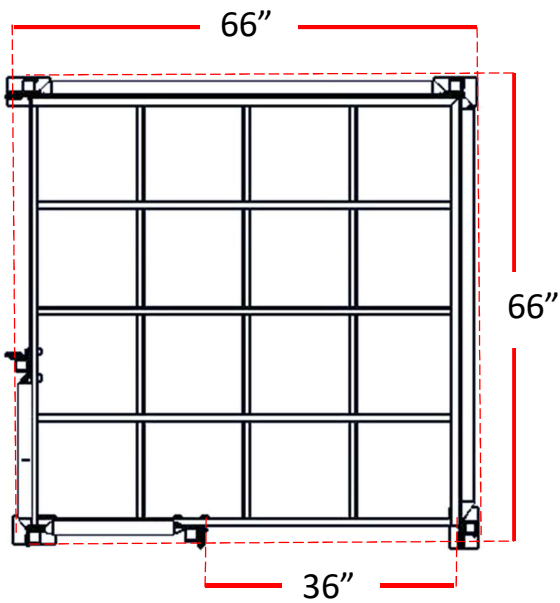


View from side

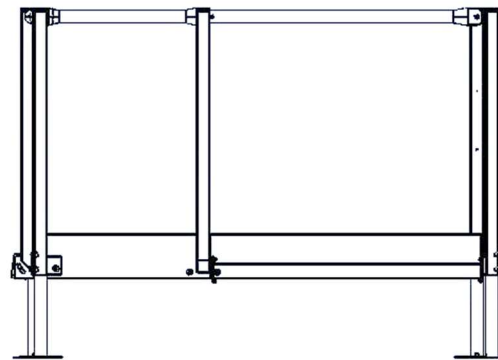


## Module 8- 90 Degree Turn Platform 5'x5'

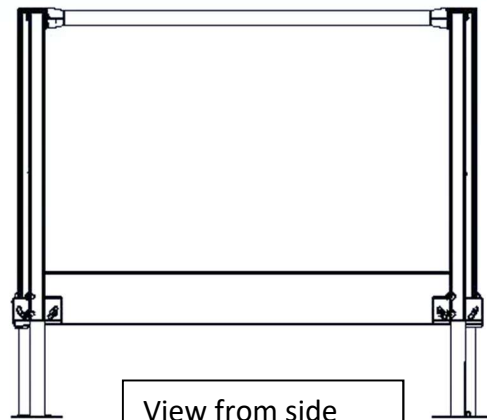
### Dimensions- (Decking included but shown)



View from above



View at end

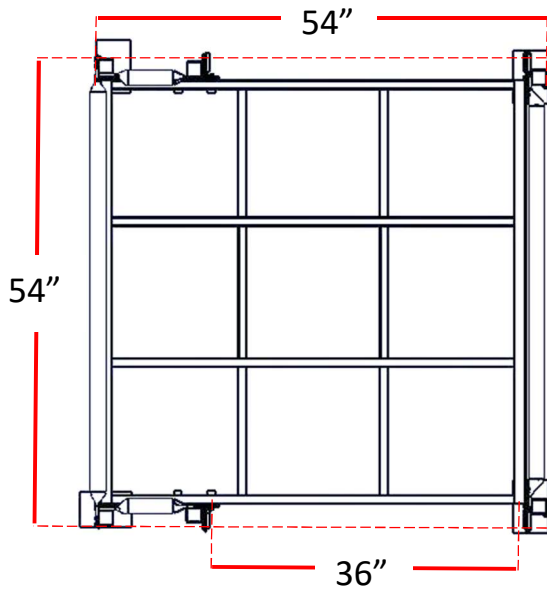


View from side

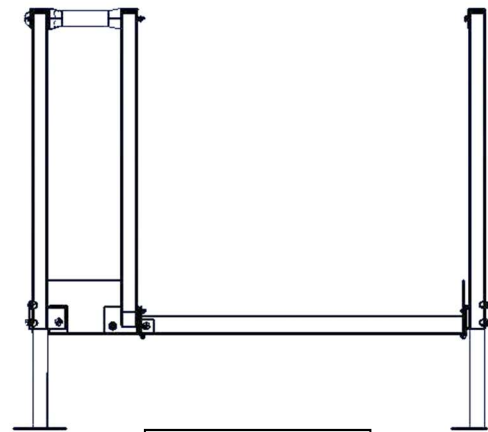


## Module 9- Straight Resting Platform 4'x4'

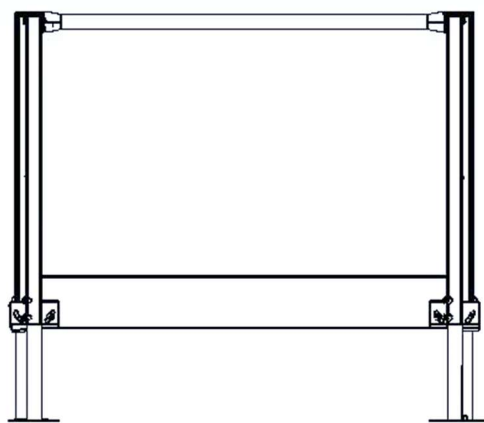
### Dimensions- (Decking included but shown)



View from above



View at end



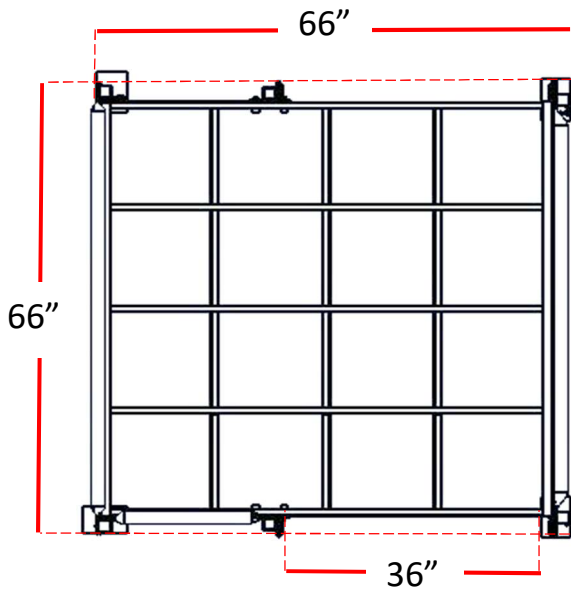
View from side





## Module 10- Straight Resting Platform 5'x5'

### Dimensions- (Decking included but shown)



View from above

